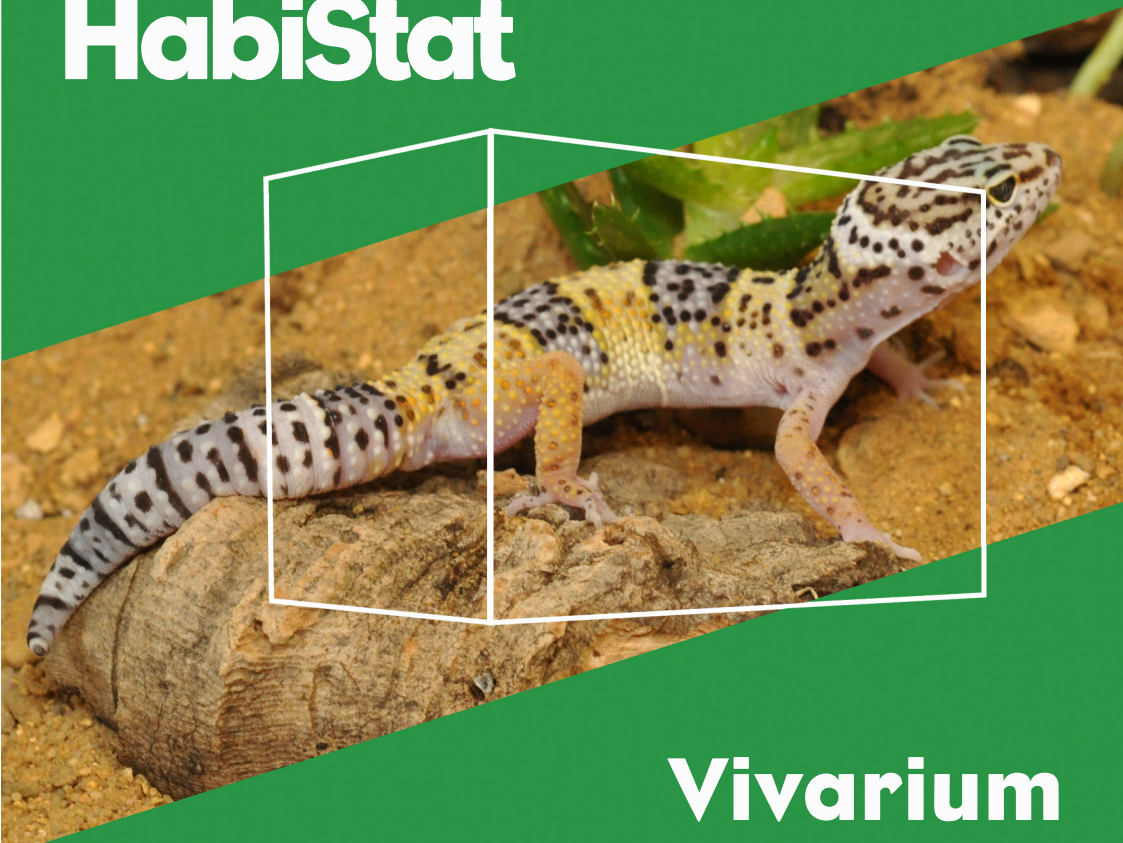


HabiStat



Vivarium Assembly Instructions

HV24, HV24B
61 x 46 x 46cm
24" x 18" x 18"

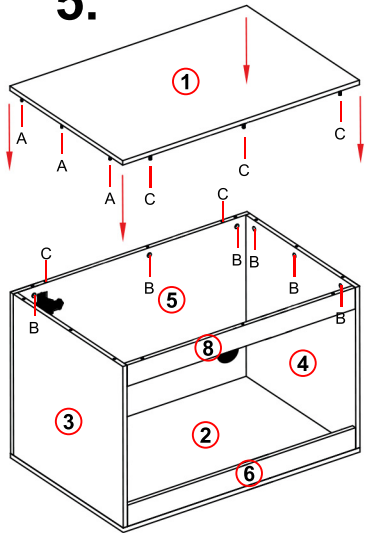
24



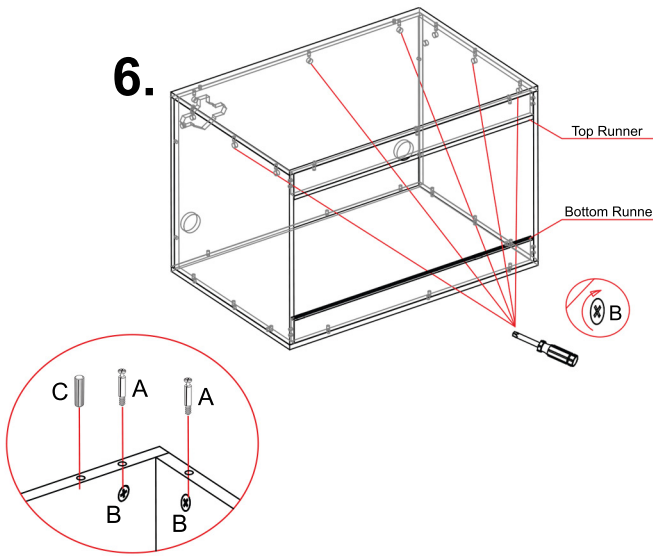
INFORMATION

Monkfield Nutrition Ltd, Arthur Rickwood Farm, Chatteris Road, Mepal, Ely, Cambridgeshire, CB6 2AZ
www.habistat.com info@habistat.com

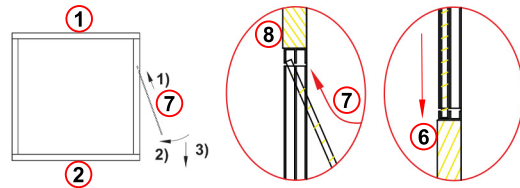
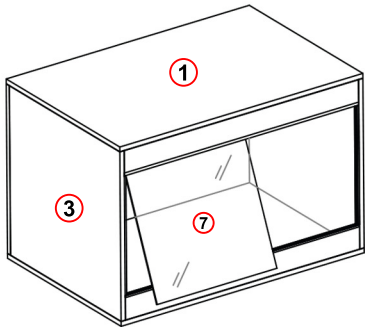
5.



6.



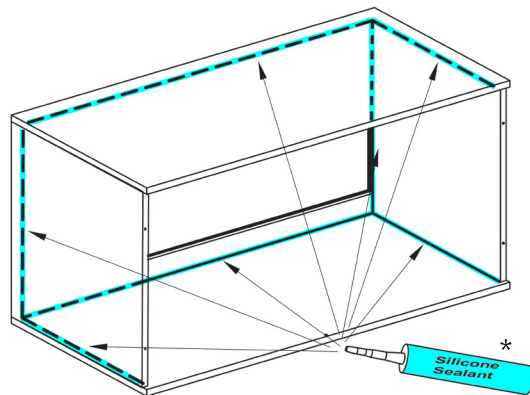
7.



8.

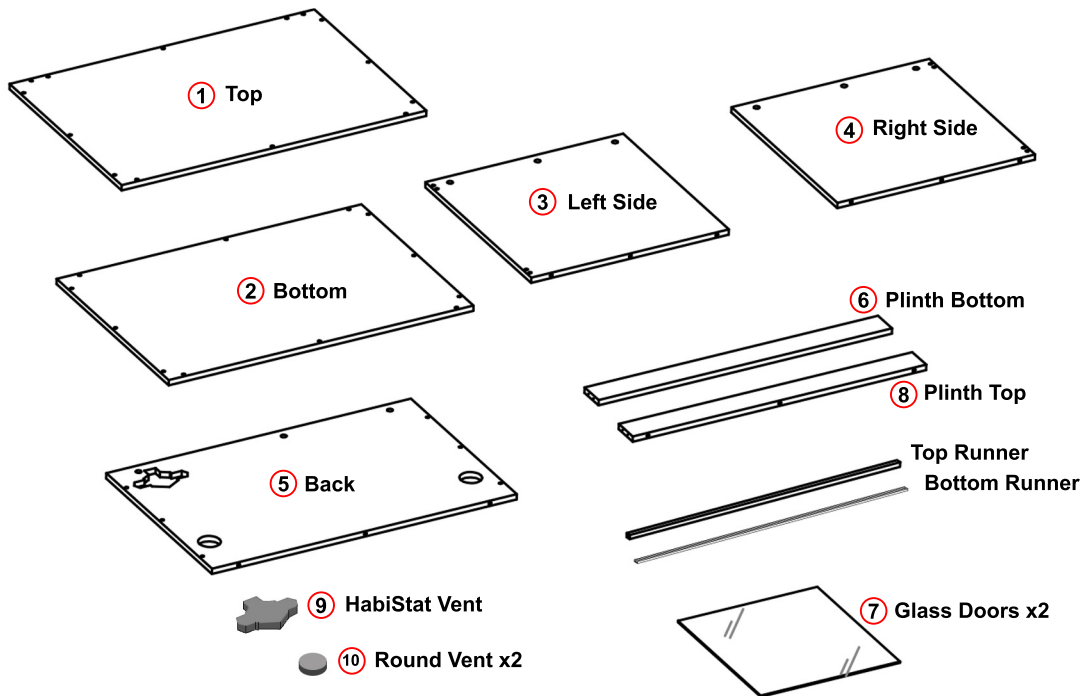
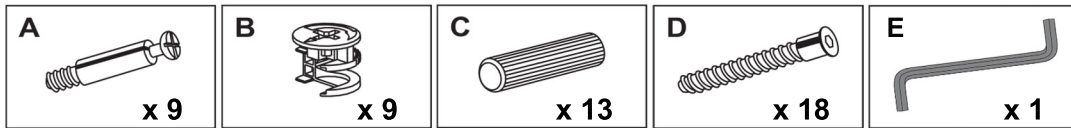
(Optional)
If you are creating a humid environment we recommend sealing all the joints with a suitable silicone sealant.

*Sold separately

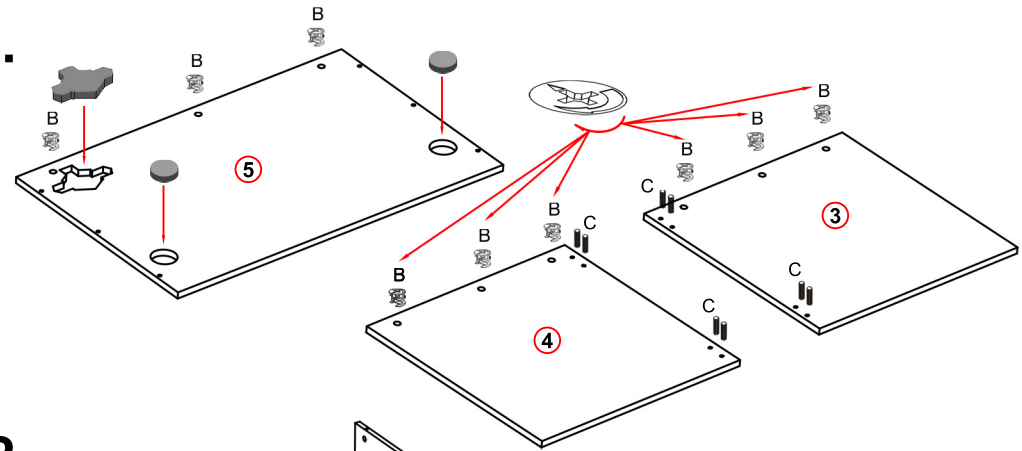


HabiStat Vivarium Assembly Instructions

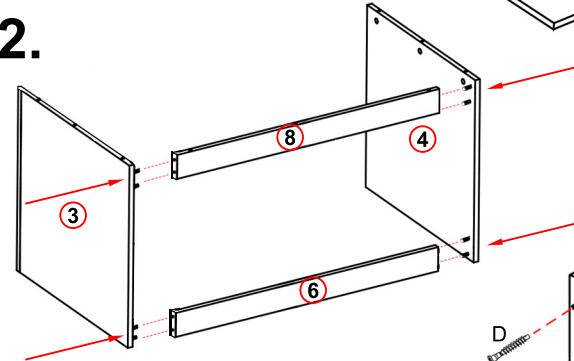
Thank you for choosing a HabiStat product. Please read the instructions carefully and refer to diagrams before use. Retain all documents for future reference.



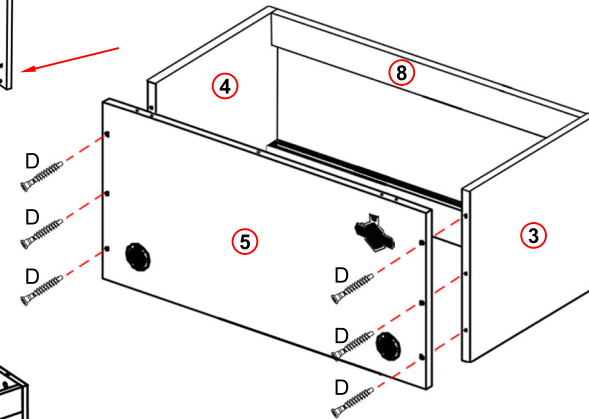
1.



2.



3.



4.

