

# HabiStat



## Terrainium Assembly Instructions

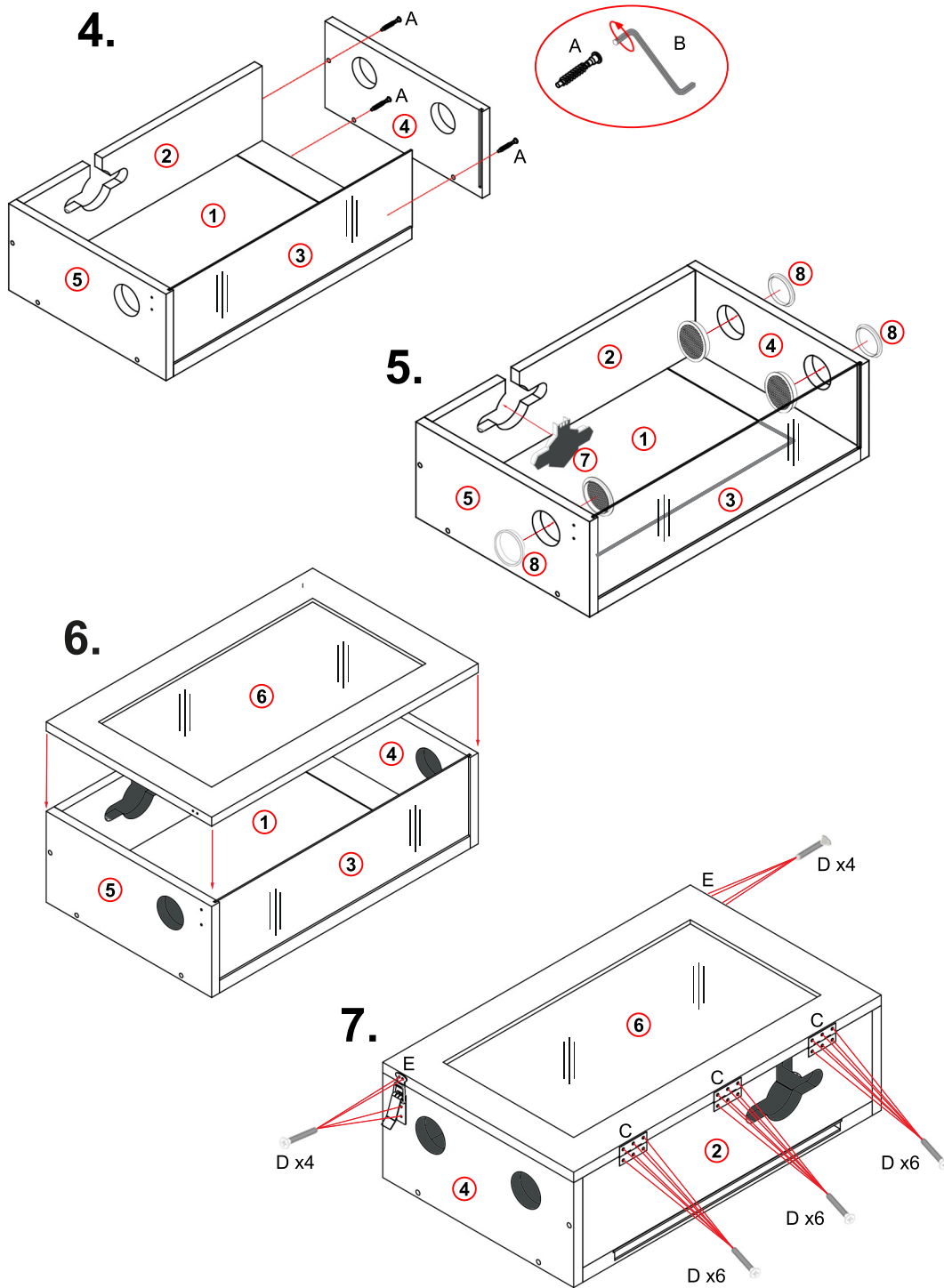
# 24

HT24, HT24B  
61 x 38 x 20cm  
24" x 15" x 8"



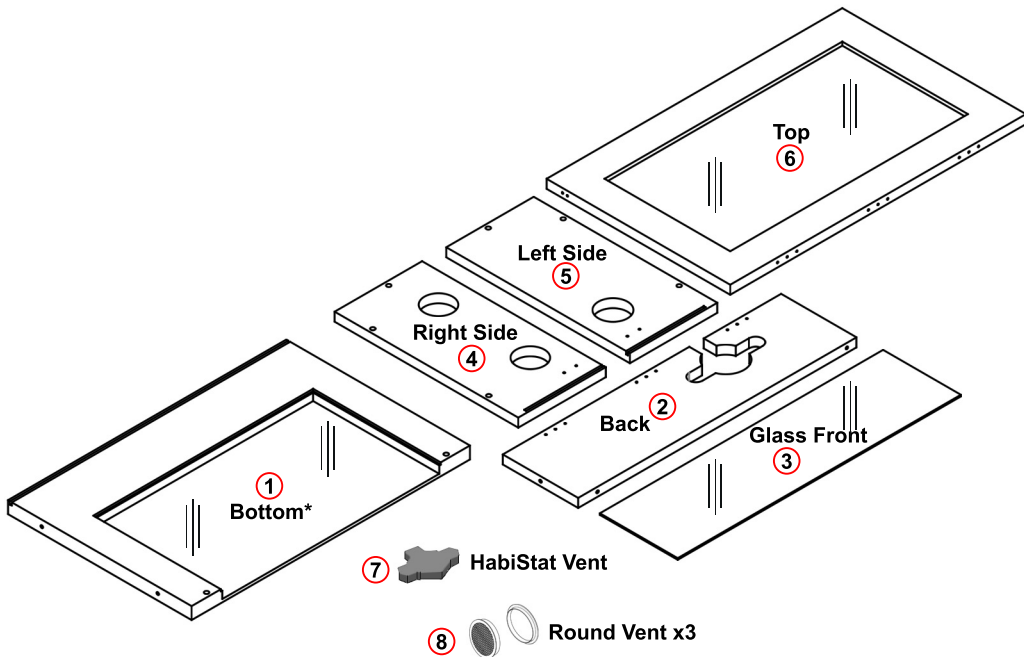
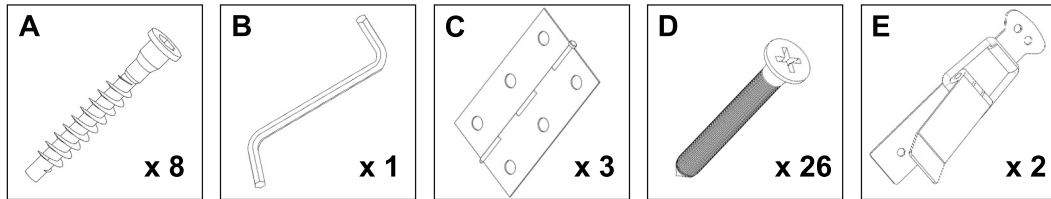
INFORMATION

Monkfield Nutrition Ltd, Arthur Rickwood Farm, Chatteris Road, Mepal, Ely, Cambridgeshire, CB6 2AZ  
[www.habistat.com](http://www.habistat.com) [info@habistat.com](mailto:info@habistat.com)

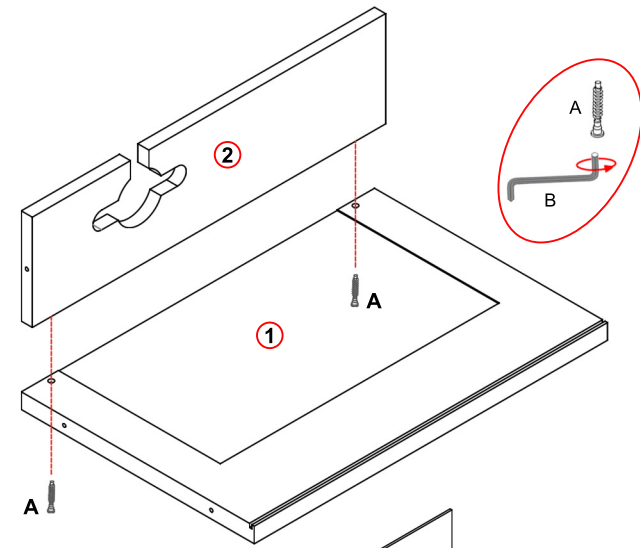


# HabiStat Terrainium Assembly Instructions

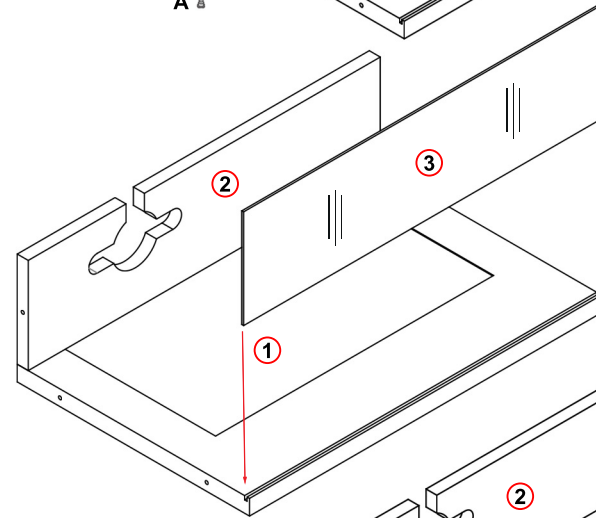
Thank you for choosing a HabiStat product. Please read the instructions carefully and refer to diagrams before use. Retain all documents for future reference.



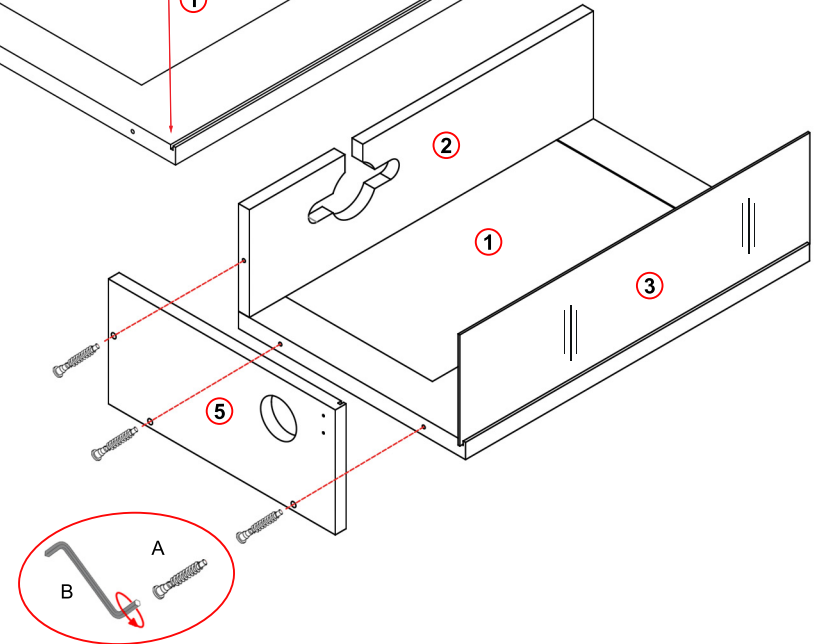
1.



2.



3.



\* Do not remove black foam insulation from bottom panel